



Vector

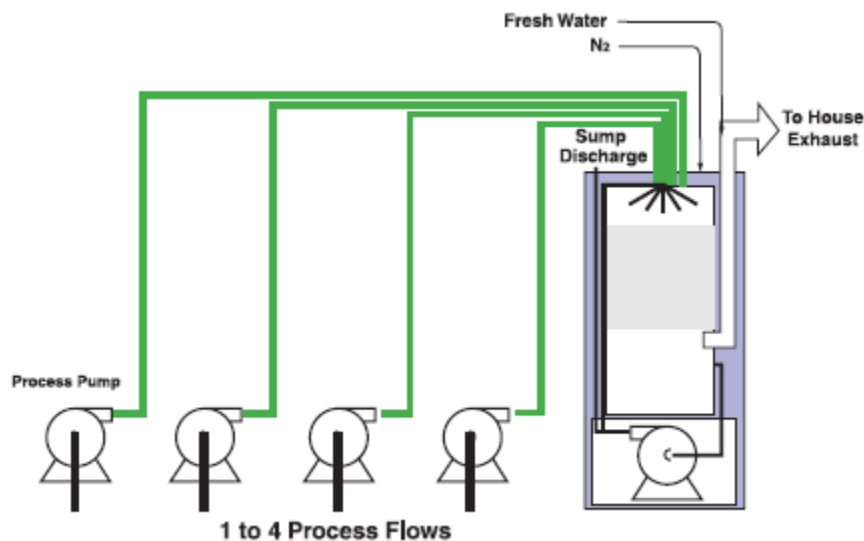
WET ABATEMENT

Reliable treatment systems are critical to the productivity of advanced process tools. A treatment solution must have high uptime and be flexible enough to handle changing process and environmental needs. The EcoSys Vector® series is uniquely suited to meet these challenges.

The Vector®3000 is a proven solution for a variety of processes including Etch and Epi. An extensive database of applications and removal efficiencies is used to customize the best solution for a given process.

The Vector® ULTRA 3500 is a proven solution for Metal Etch processes. This system will treat up to four process effluent streams and is tailored to high particulate forming and Metal Etch processes.

The Vector 6000 uses a second-generation pyrophoric entry that has been designed to reduce pyrophoric gases to a fraction of LEL without using external fuel sources. This treatment solution can be configured to safely treat up to three pyrophoric-containing effluent streams using a controlled addition of CDA to the inlet.



APPLICATION

Vector 3000

- Epitaxy
- Etch
- Tungsten CVD

Vector 3500

- Metal Etch

Vector 6000

- Silicon Nitride

Specifications

Product Dimension

PERFORMANCE

3000

Process Flow Per Inlet Per System	1-4 inlets, Type 9 (std.) Typical 300 slm (10.6 scfm) Max. 2,265 slm (80 scfm)
---	--

Compressed Gas Nitrogen, N ₂	Per inlet 14 slm (0.5 scfm)
---	-----------------------------

Water Consumption Fresh Water	0.5 to 4.0 gpm (1.9 to 15.2 slm)
----------------------------------	----------------------------------

Power Consumption	1100 W
-------------------	--------

Reliability MTBF MTTR	> 8,000 hours < 2 hours
-----------------------------	----------------------------

3500

Process Flow Per Inlet Per System	1-4 inlets Typical 300 slm (10.6 scfm) Max. 2,265 slm (80 scfm)
---	---

Compressed Gas Nitrogen, N ₂	Per inlet 25 slm (1 scfm)
---	---------------------------

Water Consumption Fresh Water	0.5 to 4.0 gpm (1.9 to 15.2 slm)
----------------------------------	----------------------------------

Power Consumption	1100 W
-------------------	--------

Reliability MTBF MTTR	> 8,000 hours < 2 hours
-----------------------------	----------------------------

6000

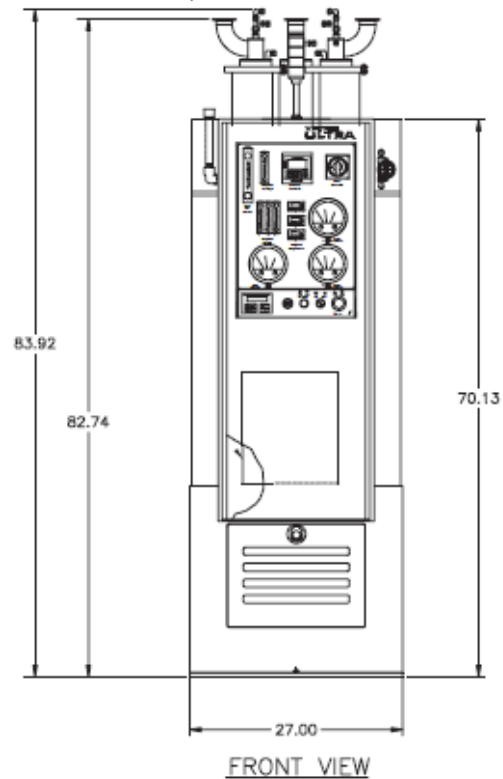
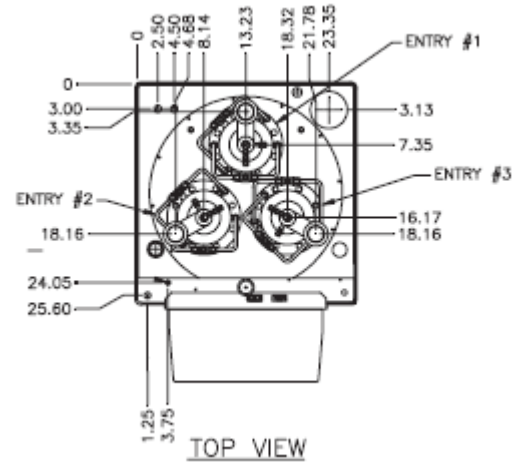
Process Flow Total Flow Total Pyrophoric Flow	1-4 inlets Per Inlet 283 slm (10 scfm) 2 slm (0.1 scfm)
---	---

Compressed Gas/ Per Inlet Nitrogen, N ₂ Clean Dry Air, CDA	10 slm (0.4 scfm) 62 slm (2.2 scfm)
---	--

Water Consumption Fresh Water Chilled Water	0.3 gpm (1.1 slm) 2 gpm (19 slm)
---	-------------------------------------

Power Consumption	1100 W
-------------------	--------

Reliability MTBF MTTR	> 8,000 hours < 2 hours
-----------------------------	----------------------------



OPTIONS AND ACCESSORIES

- Safety-containment cage
- Chemical injection
- Simple remote
- RS-232 or RS-485 communication
- Electrical supply voltage

EcoSys Pte. Ltd.

Blk 30 Kallang Place #01-23/24 Kallang Basin Industrial Estate Singapore, 339159

Tel: +65 6297 9741 Fax: +65 6296 7298

email: sales@ecosysgrp.com <https://ecosysgrp.com>